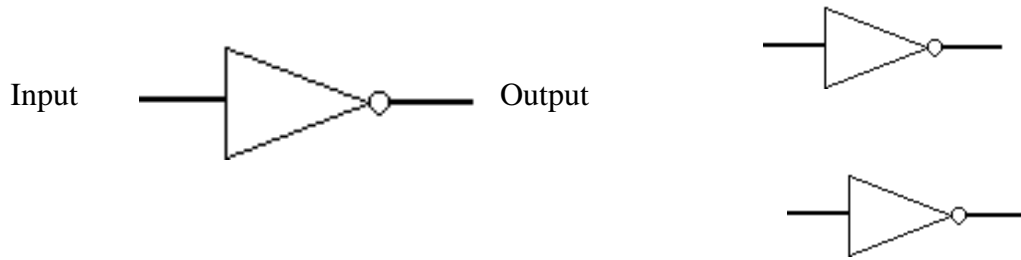
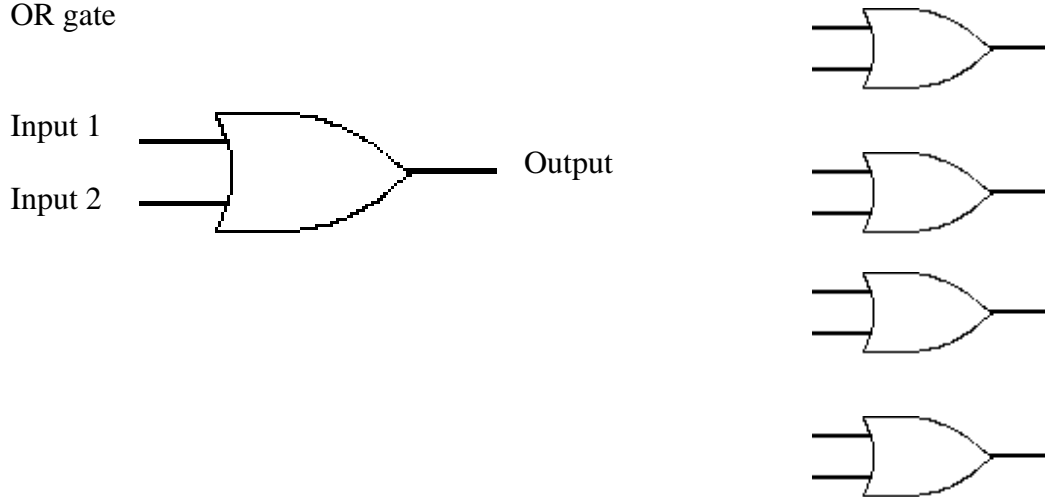


# Logic Gates in Electronic Circuits

NOT gate (Inverter)



OR gate



AND gate

